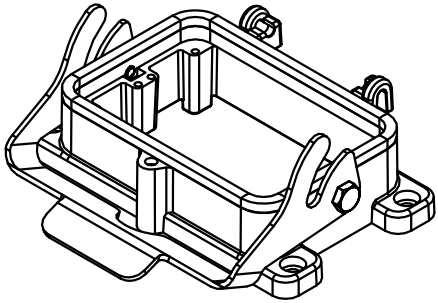
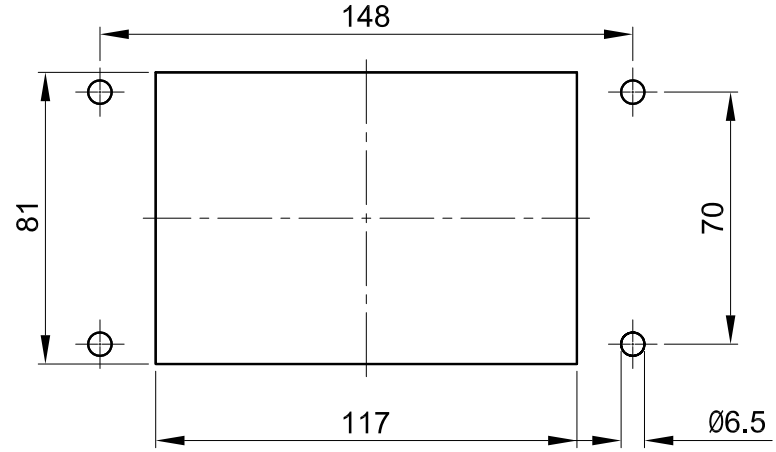


Panel cut out



- Technical data:
- Type: Bulkhead mounted housings
 - Description: Low construction, single locking
 - Size: B48
 - Limiting temperature: -40 ... +125°C
 - Material(housings): Aluminium die-cast
 - Surface(housings): Powder coating
 - Material(seal): NBR
 - Material(locking): Stainless steel
 - Colour: RAL 7037
 - Degree of protection (IP): IP65
 - Degree of protection (NEMA): 4, 4X, 12
 - Material flammability class acc. to UL94: V-0
 - RoHS: Compliant

All Dimensions in mm Original Size DIN A4	Date	Drawing No.	Rev.	Scale
	2021-03-12	TC5768053	A00	1:2
InKonn® InKonn (Suzhou) Electric Technology Co.,Ltd.	Part No.	Created by	Checked by	Page
	10 11 048 0510	Han Lyu	Yiyi Luo	1/1
Type Name HB48-BM-SL/S				